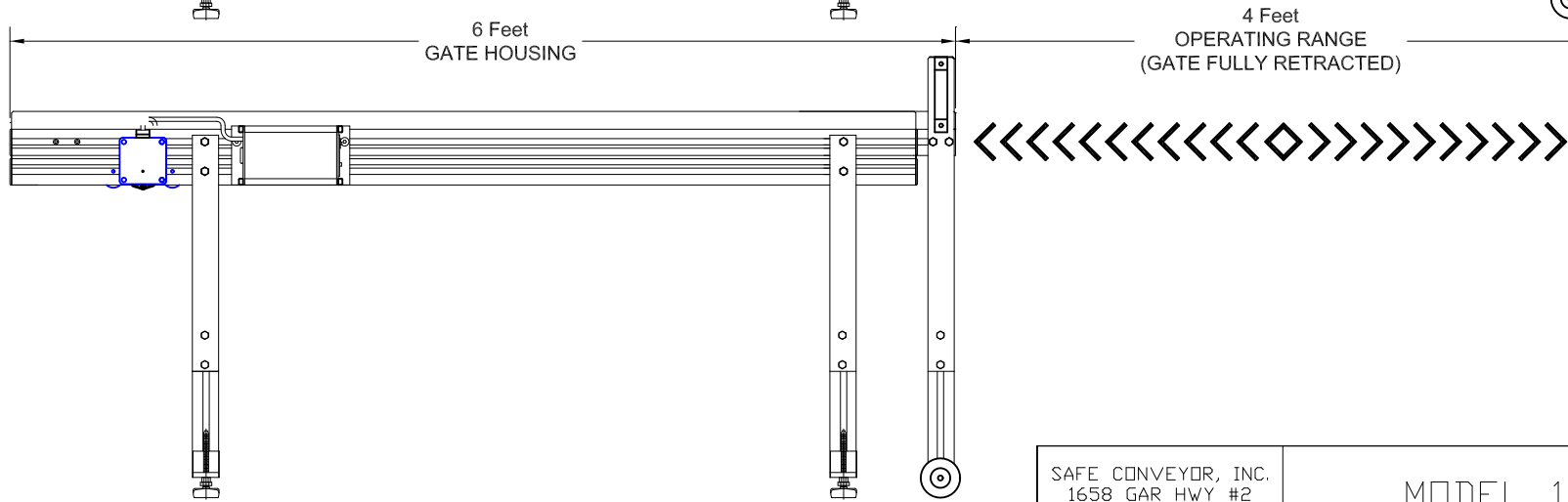
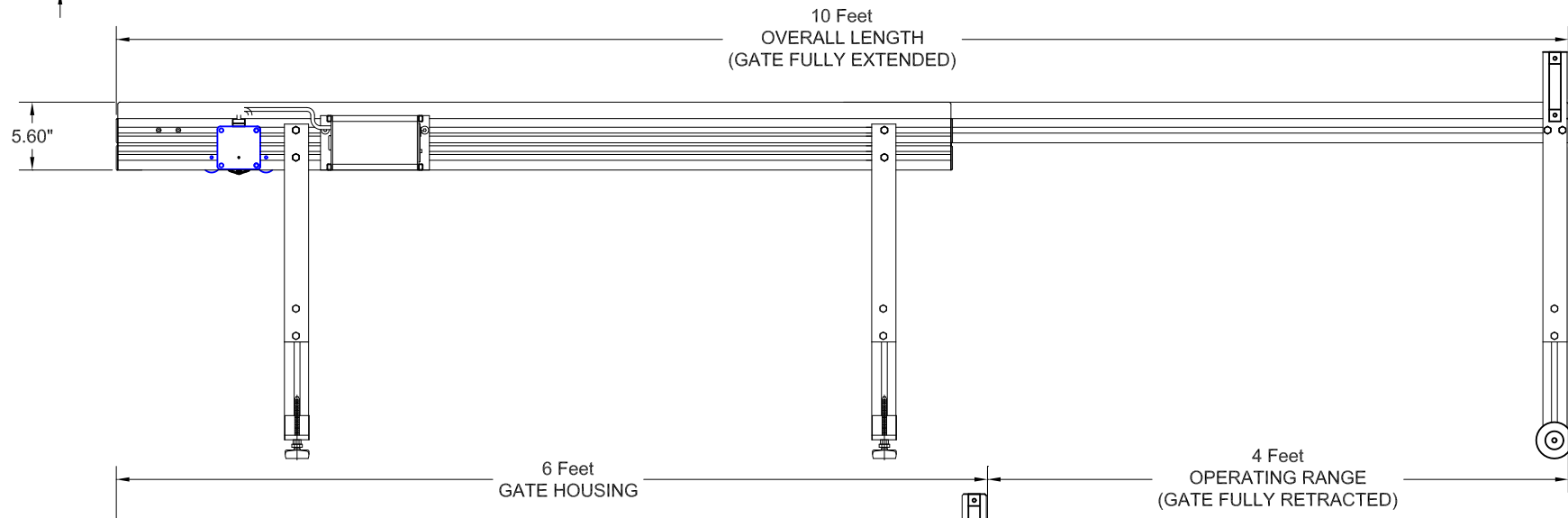
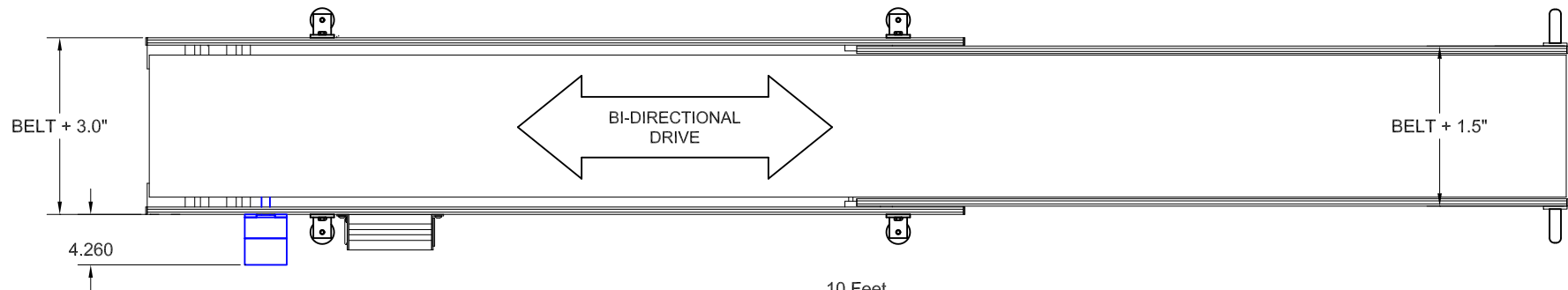


SAFE CONVEYOR, INC. 1658 GAR HWY #2 SWANSEA, MA 02777 PH: 508-689-7849 FAX: 508-689-7850		MODEL 8 X 3 DIMENSIONS	
SIZE	FSCM NO.	DWG NO.	REV
		SC5010	D
SCALE		SHEET SHEET 1 OF 1	



SAFE CONVEYOR, INC. 1658 GAR HWY #2 SWANSEA, MA 02777 PH: 508-689-7849 FAX: 508-689-7850		MODEL 10 × 4 DIMENSIONS	
SIZE	FSCM NO.	DWG NO.	REV
		SC5010	E
SCALE		SHEET SHEET 1 OF 1	